

**XSTATIC**  
PRO LIGHTING

X-BAR16RGBUV  
**EVO**  
**RGB-UV**



**USER MANUAL**

**Unpacking:** Thank you for purchasing the X-BAR16RGBUV. Every X-BAR16RGBUV has been thoroughly tested and has been shipped in perfect operating condition. Carefully check the shipping carton for damage that may have occurred during shipping. If the carton appears to be damaged, carefully inspect your fixture for any damage and be sure all equipment necessary to operate the unit has arrived intact. In the event damage has been found or parts are missing, please contact our toll free customer support number for further instructions. Please do not return this unit to your dealer without contacting customer support first.

**Introduction:** The X-BAR16RGBUV has four channel. The fixture can operate in three different operating modes; DMX control, sound-active, or in a Master/Slave configuration. The X-BAR16RGBUV comes with several built in programs that can be used, while operating as a dimmer unit or when used in multiples linked in a master/slave configuration. For best results use fog or special effects smoke to enhance the beams projections.

**Warning!** To prevent or reduce the risk of electrical shock or fire, do not expose this unit to rain or moisture.

**Warning!** This may cause severe eye damage. Avoid looking directly into the light source at all times!

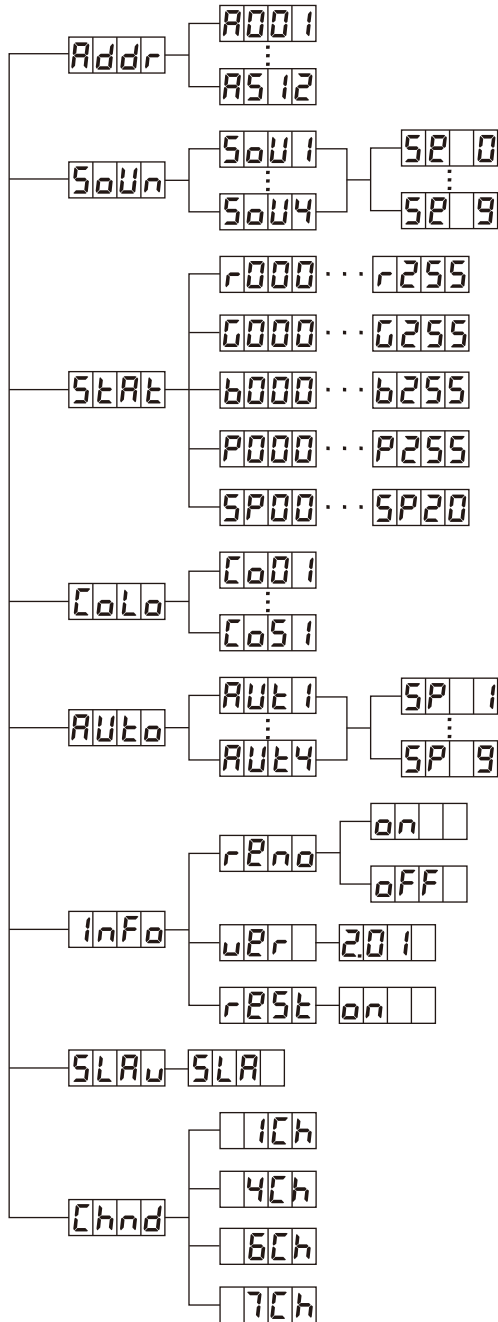
## **Features**

- Color Strobe Effect
- LED Chases
- Electronic Dimming 0-100%
- Built in Microphone
- DMX-512 protocol
- FOUR DMX Modes
- 3 Operating Modes - Sound Active, Master/Slave Mode, and DMX Control
- DMX-512 Protocol Compatible
- Digital Display for Address and Function Setting

## **Model**

- Light Source: 16\*4W RGBUV LED
- Life Time: 80000-100,000 hours
- Dimming 0-100% with regulated constant color control
- Operation Mode: DMX 512, Manual, sound, internal program
- DMX control: 4 DMX mode (1CH, 4CH, 6CH, 7CH)
- Control panel: Digital 4 characters alphanumeric
- Input voltage: AC100-240V, 50-60HZ (Power supply switch)
- Max Power: 65W
- Maximum Ambient Temperature: 40°C
- N.W.: 1.5kg

# On Board System



Addr - DMX Address Setting via control board

1. Press the MENU button and UP button or DOWN button until "Addr" is showed, then press ENTER.
2. "Axxx" is showed, "xxx" represents the showed address. Press the UP or DOWN button to select your desired address.

Soun - In this menu, you can select your desired sound mode.

1. Press the MENU button and UP button or DOWN button until "Soun" is showed, then press ENTER.
2. "Soux" is showed, and you can select sound mode by pressing UP or DOWN button. Then press ENTER to adjust the sensitivity of the sound mode from 0 to 9.

Stat- In this menu, you can select your desired static color mode and strobe mode

1. Press the MENU button and UP button or DOWN button until "Stat" is showed, then press ENTER.
2. There will be five options. Press ENTER to select the option and then press UP or DOWN button to select the value you desire as below.

- 1) red~R000~R255
- 2) gree~G000~G255
- 3) blue~B000~B255
- 4) uv~P000~P255
- 5) speed~SP00~SP20

Colo - In this menu, you can select your desired color mode.

1. Press the MENU button and UP button or DOWN button until "CoLo" is showed, then press ENTER.
2. "Coxx" now is showed, "xx" representing a number between 1-51 will be showed. Press the UP or DOWN buttons to select your desired static color.

Auto - In this menu you can select your desired Auto mode.

1. Press the MENU button and UP button or DOWN button until "Auto" is showed, then press ENTER.
2. "Autx" is showed. You can press UP or DOWN button to select your desired auto mode. Then press ENTER to adjust the speed of the Auto mode from speed1 to speed9.

INFO -This menu will show the information of the light.

1. Press the MENU button and UP button or DOWN button until "INFO" is showed, then press ENTER. And you will see two items.
  - 1) reno: This menu will let you select your desired sound mode, then press ENTER. "on" or "off" is showed, then you can select to close or open the remote control.
  - 2) Ver: This will show the version of the software.
  - 3) rest: This menu will let you select reset mode, then press ENTER. "on" is showed, long press "enter" a few seconds, then you can select to restore factory settings.

SLav- This menu will let you select your desired Master/slave mode

1. Tap the MENU button until "SLav" is displayed, press ENTER.
2. "Sla" is displayed, Slave mode is confirmed. It will be slaved by auto mode sound mode and chase mode

Chnd - This menu will let you select the channel

1. Press the MENU button and UP button or DOWN button until "Chnd" is showed, then press ENTER.
2. Press UP or DOWN button to select your desired channel.

## DMX control mode

DMX 1 Channel

Channel	Value	Function
ch1	1 -- 4	red
	5 -- 9	green
	10 -- 14	blue
	15 -- 19	uv
	20 -- 24	Macro Color 1
	25 -- 29	Macro Color 2
	30 -- 34	Macro Color 3
	35 -- 39	Macro Color 4
	40 -- 44	Macro Color 5
	45 -- 49	Macro Color 6
	50 -- 54	Macro Color 7
	55 -- 59	Macro Color 8
	60 -- 64	Macro Color 9
	65 -- 69	Macro Color 10
	70 -- 74	Macro Color 11
	75 -- 79	Macro Color 12
	80 -- 84	Macro Color 13
	85 -- 89	Macro Color 14
	90 -- 94	Macro Color 15
	95 -- 99	Macro Color 16
	100 -- 104	Macro Color 17
	105 -- 109	Macro Color 18
	110 -- 114	Macro Color 19
	115 -- 119	Macro Color 20
	120 -- 124	Macro Color 21
	125 -- 129	Macro Color 22
	130 -- 134	Macro Color 23
	135 -- 139	Macro Color 24
	140 -- 144	Macro Color 25
	145 -- 149	Macro Color 26
	150 -- 154	Macro Color 27
	155 -- 159	Macro Color 28
	160 -- 164	Macro Color 29
	165 -- 169	Macro Color 30
	170 -- 174	Macro Color 31
	175 -- 179	Macro Color 32
	180 -- 184	Macro Color 33
	185 -- 189	Macro Color 34
	190 -- 194	Macro Color 35
	195 -- 199	Macro Color 36
	200 -- 204	Macro Color 37
	205 -- 209	Macro Color 38
	210 -- 214	Macro Color 39
	215 -- 219	Macro Color 40
	220 -- 224	Macro Color 41
	225 -- 229	Macro Color 42
	230 -- 234	Macro Color 43
235 -- 239	Macro Color 44	
240 -- 244	Macro Color 45	
245 -- 249	Macro Color 46	
250 -- 255	Macro Color 47	

#### DMX 4 Channel

Channel	Value	Function
ch1	0--255	red (0%--100%)
ch2	0--255	green (0%--100%)
ch3	0--255	blue (0%--100%)
ch4	0--255	uv (0%--100%)

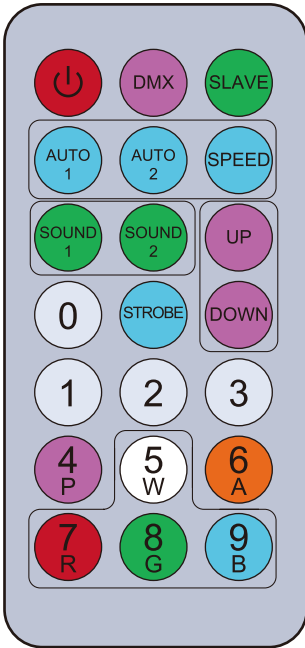
#### DMX 6 Channel

Channel	Value	Function
ch1	0--255	Dimmer (0%--100%)
ch2	0--255	red (0%--100%)
ch3	0--255	green (0%--100%)
ch4	0--255	blue (0%--100%)
ch5	0--255	uv (0%--100%)
ch6	0--255	strobe

#### DMX 7 Channel

Channel	Value	Function
ch1	0--255	Dimmer (0%--100%)
ch2	0--255	red (0%--100%)
ch3	0--255	green (0%--100%)
ch4	0--255	blue (0%--100%)
ch5	0--255	uv (0%--100%)
ch6	0 --15	no function
	16 --31	sence R-G-B-RG-G
	32 --47	sence G-GB-B-RB-R
	48 --63	sence R-B-G-RG-G
	64 --79	sence R-G-GB-RBG-G
	80 --95	sence B-BG-RGB-RG-G
	96 --111	color change
	112--127	color fade
	128--143	color sync strobe
	144--159	color change and strobe
	160--175	color fast in slow out
	176--191	color slow in fast out
	192--207	color slow in slow out 1
	208--223	color glide
224--239	Sound 1	
240--255	Sound 2	
ch7	0--255	speed(slow – fast)

# IR Controller



Power on/off button



DMX button, to control DMX address when press this button. It is channel mode when double click.



Master-slave mode button.



Automatic mode button



Speed adjustive button



Sound mode button



Up and down button, you can choose the program that you need or numerical.



Strobe button



You can use these number button to adjust numerical in any program mode.

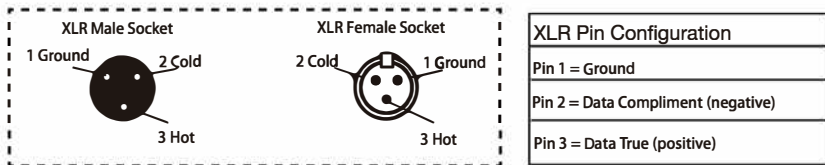


Color choosing button.



Your cables should be made with a male and female XLR connector on either end of the cable. Also remember that OMX cable must be daisy chained and cannot be split.

Notice: Be sure to follow figures two and three when making your own cables. Do not use the ground lug on the XLR connector. Do not connect the cable's shield conductor to the ground lug or allow the shield conductor to come in contact with the XLR's outer casing. Grounding the shield could cause a short circuit and erratic behavior.



**Special Note: Line Termination.** When longer runs of cable are used, you may need to use a terminator on the last unit to avoid erratic behavior. A terminator is a 110-120 ohm 1/4 watt resistor which is connected between pins 2 and 3 of a male XLR connector (DATA + and DATA -). This unit is inserted in the female XLR connector of the last unit in your daisy chain to terminate the line. Using a cable terminator (ADJ part number Z-DMX/T) will decrease the possibilities of erratic behavior.



Termination reduces signal errors and avoids signal transmission problems and interference. It is always advisable to connect a DMX terminal, (Resistance 120 Ohm 1/4 W) between PIN 2 (DMX-) and PIN 3 (DMX +) of the last fixture.

Find your dealer on our website to ask about more innovative products from...



**XSTATIC**  
PRO LIGHTING

**ProX**  
Live Performance Gear

55 Hook Rd. 46A Bayonne NJ 07002  
Tel: (718) 237-2299, Fax: (718) 237-2318  
Email: [info@proxdirect.com](mailto:info@proxdirect.com)

(NO DIRECT SALES, DEALERS AND DISTRIBUTORS ONLY)

Please Register your product warranty on [ProXDirect.com](http://ProXDirect.com),  
submit your testimonials and setup photos to our website,  
& Tag us on your social media websites.

#proxdirect