



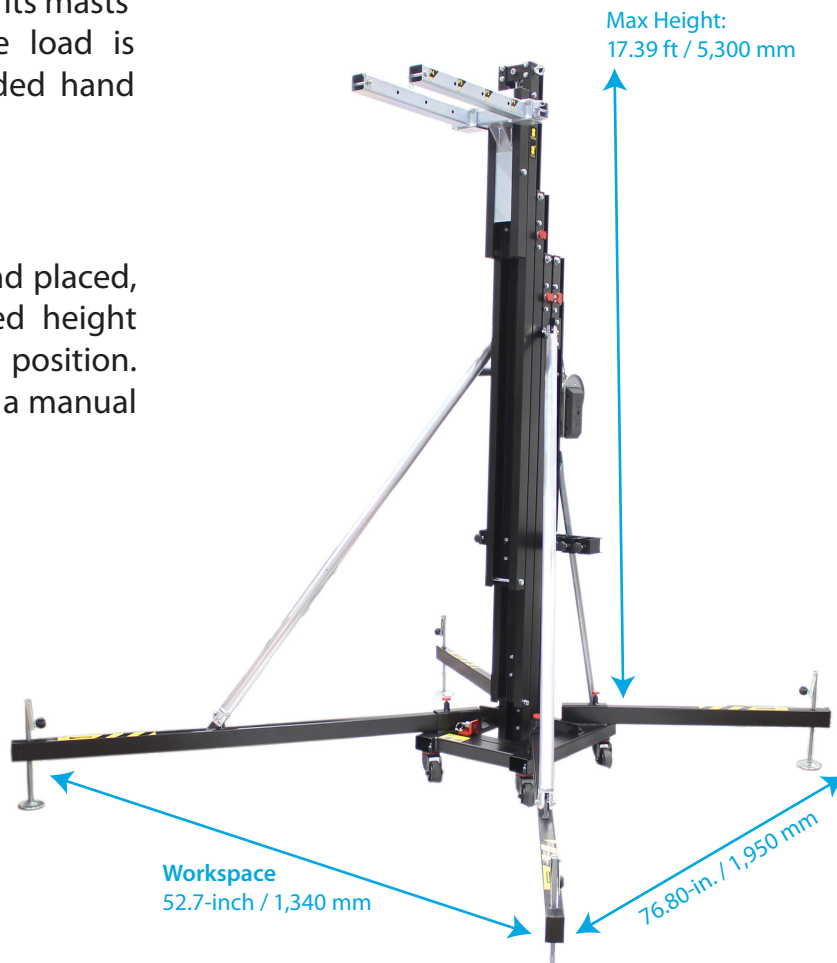
### Mechanism

The Load is placed in the tower once leveled and placed with all its masts in transport position. The load is raised by using the included hand winch.



### Structural

The tower, once leveled and placed, is extended to the desired height and locked at its working position. The load is raised by using a manual or electric hoist.



More Specifications	
Ground Clearance:	1.97 in. / 50 mm
Loading Fork:	19.65 in. / 500 mm
Min. Load:	55.23 lb / 25 kg
Max. Load-Machine	518.1 lb / 235 kg
Max Load-Structure:	1,003.1 lb / 455 kg
Net Weight:	222.7 lb / 101 kg
Winch:	265.5 lb / 1200 kg
Noise Emissions:	73 db