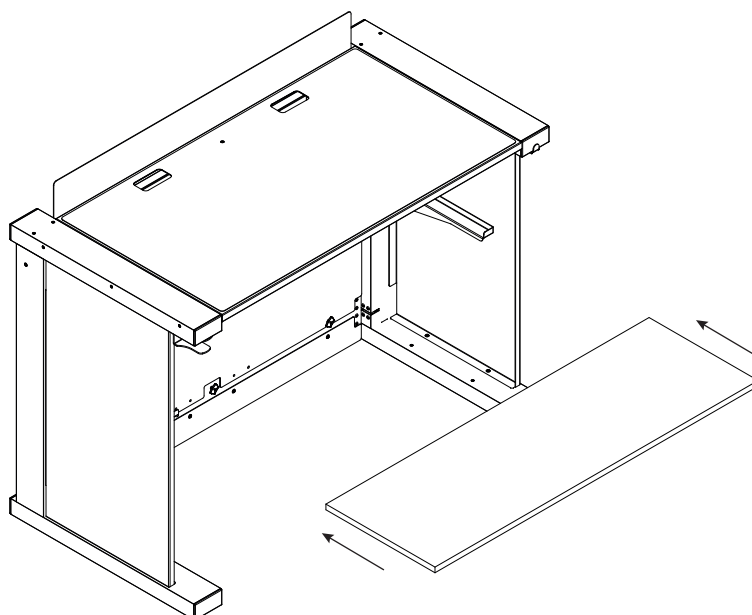


B3 UNDER COUNTER SHELF

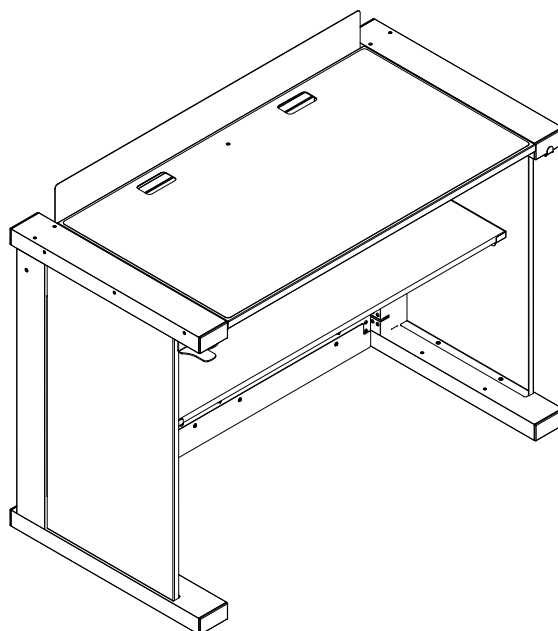
INSTRUCTION MANUAL

humpter®
ENGINEERED TO PERFECTION

1








2



Humpter is owned by:



MP PROJECT Sp. z o.o.
ul. Sołeczka 9
05-400 Otwock
Poland

-  @humpter
-  @humpter_dj
-  humpter.com
-  humpter.pl
-  office@humpter.com
-  +48 608 373 161