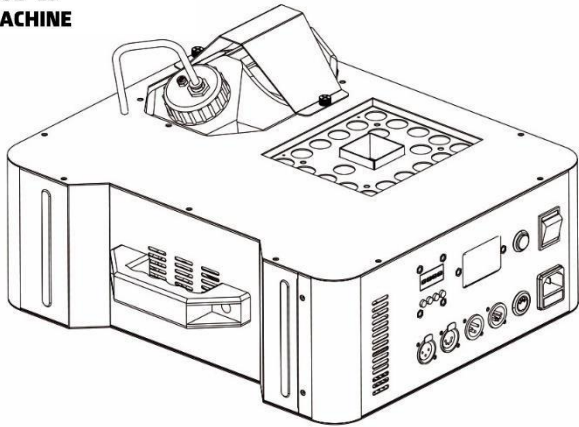


XSTATIC PRO LIGHTING by **PROX**

TORNADO LED

PRO STAGE / CLUB DJ
SMOKE EFFECT MACHINE



X-TORNADO LED FOG MACHINE USER MANUAL

©2016-2018 **Xstatic Pro Inc.** all rights reserved. Information, specifications, diagrams, images, and instructions herein are subject to change without notice. Xstatic Pro Lighting logo and identifying product names and numbers herein are trademarks of Xstatic Pro Inc. Copyright protection claimed includes all forms and matters of copyrightable materials and information now allowed by statutory or judicial law or hereinafter granted. Product names used in this document may be trademarks or registered trademarks of their respective companies and are hereby acknowledged. All non Xstatic and ProX brands and product names are trademarks or registered trademarks of their respective companies.

Xstatic Pro, Inc., ProX and all affiliated companies hereby disclaim any and all liabilities for property, equipment, building, and electrical damages, injuries to any persons, and direct or indirect economic loss associated with the use or reliance of any information contained within this document, and/or as a result of the improper, unsafe, insufficient and negligent assembly, installation, rigging, and operation of this product.

Important Note: The instructions and specifications contained in this manual are correct at the time of design and initial manufacturing. However, due to continuing improvement in our products some items may change without prior written notice to end users.

Introduction: Congratulations, you have just purchased Xstatic Pro Lighting Tornado LED, one of the most reliable LED fog machines on the world today! The Tornado LED fog machine have been designed and engineered to perform reliably for years when the guidelines in this booklet are followed. Please read and understand the instructions in this manual carefully and thoroughly before attempting to operate this unit. These instructions contain important information regarding safety during use and maintenance.

Safety Notifications:

- Be very careful during connection and usage: touching live wires can cause life-threatening electrical shock.
- Do not touch the device during operation as the housing gets hot.
- Keep this device in a dry area at all times.
- Do not open the housing for any reason. Call Xstatic for service!
- Damage caused from not following the guidelines in this manual are not covered by the warranty and ProX will not accept responsibility for any resulting defects or problems.
- A qualified technician should install and service this device.
- Do not switch the device on immediately after it has been exposed to extreme changes in temperature. Protect the device against damage by leaving it switched off until it has reached room temperature.
- This device falls under NEC Class 1. It is essential that the device be earth grounded. Do not remove or isolate the grounding pin.
- Make sure that the available voltage does not exceed the voltage stated in the specification section of this manual.
- Do not crimp the power cord. Protect it against damage. Have an authorized service center replace it if necessary.
- Disconnect the device from all power to clean it or when it is not in use. Handle the power cord by the plug only.
- Note that damage caused by user modification to the device is not covered by the product warranty.
- Keep the device away from children and unauthorized users.
- Never aim or point this or any fog machine toward people or their clothing. The device emits hot steam and may cause serious burns or injury.
- Always operate this unit in an area that will allow proper ventilation. Maintain a clearance of at least 6" between this device and a wall.
- Maintain a 36" distance from any persons during operation.

Electrical and Control:

Power Supply:

Before plugging your Xstatic Tornado Fog Machine unit in, be sure the supply voltage is **120V AC 60 Hz**. Because line voltage may vary from venue to venue,

you should test the outlet for proper voltage and ground before attempting to operate your fixture.

Technical Specifications

VOLTAGE:	AC120V 60Hz
POWER:	1500W/120V
WARM UP TIME:	6 minutes
SMOKE OUTPUT:	45,000Cu ft/m in
SPRAY HEIGHT:	23FT / 7M
DMX CHANNEL:	7CH
LED SPECIFICATION:	21 pcs 3W LEDs (R-5 G-6 B-5 A-5)
WIRELESS CONTROLLER:	8 Key RF, Support W-8
TIMER: Support	X-TornadoTimer (Optional)
FLUID TYPE:	Water Base (Premium)
TANK CAPACITY:	2.5L
DIMENSIONS:	390 x 350 x 190mm

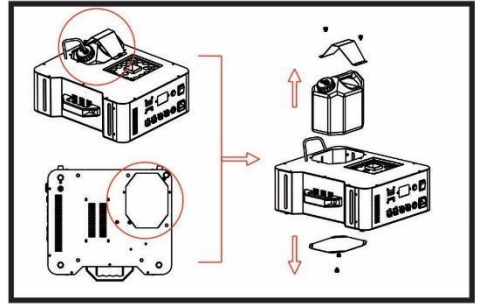
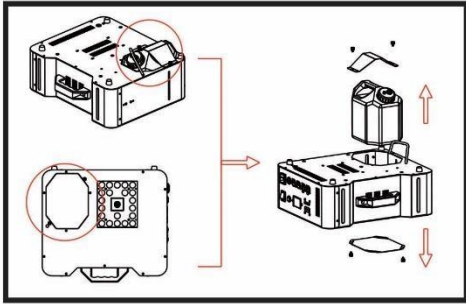
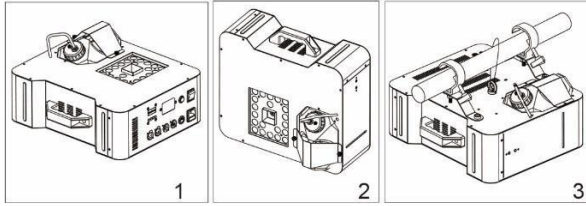
Tornado LED Operation

Tornado can be used in three ways;

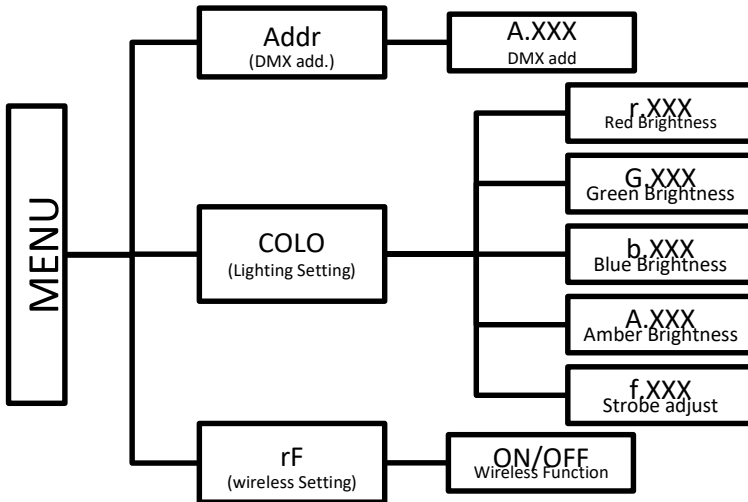
1. Right side up on the floor,
2. Sideways with the handle facing up
3. Upside down hang from trussing.

When hanging the machine upside down, the tank must be removed and switched to the bottom of the unit so that the tank will remain right-side up. Follow the diagrams below to remove the tank and change it so that it remains right-side up. Remove the tank, then remove the support plate & screws and move to top of machine, reinstall screws so that the tank remains right-side up. See below for the mounting diagram.

Note: Please remove the fog juice from the tank before doing this.



Readout Functions:



A.XXX (DMX add. adjust):

Minimum data is "1", maximum data is "506" ; r.XXX

(Red Brightness adjust):

Red LED brightness adjust "0"--LED OFF, 1—255 dim to bright G.XXX

(Green Brightness adjust):

Green LED brightness adjust "0"--LED OFF, 1—255 dim to bright b.XXX

(Blue Brightness adjust):

Blue LED brightness adjust “0”--LED OFF, 1—255 dim to bright **A.XXX**
(Amber Brightness adjust):

Amber LED brightness adjust “0”--LED OFF, 1—255 dim to bright **F.XXX**
(Strobe Flashing adjust):

Light flashing frequency adjust “0”--Normally on, 1—255

Flashing frequency from slow to fast **RF (Wireless function):**

“on”--turn on W-8 controller “off”--turn off W-8 controller function

When in any sub-menu, after 6 seconds of no operation, the sub-menu will revert back to main menu and save current setting/date

Operation:

Plug the Tornado LED Fog Machine to 120V AC. The device need few minutes for preheating. It will display **UP** when heating, and tank LED glow **red** at that time. When it has reached the operational temperature and ready to fog, it will display **READY** and tank led glow **blue** at this time

Note: When there is no fog fluid in tank, the display board will flashing and show **no oil** and at the same time the tank LED (Red+Blue) is flashing. At that point all other controllers are unavailable, except the manual button.

Please add the liquid then press manual button until the fog juice is detected, the display board will show "**READY**" again after that action.

Fog Juice Level Sensor:

The Xstatic Tornado Fog machine features a fog juice level sensor. When the fog juice level is low, a LED below the reservoir will flash. When the fog juice level reaches a critical level, a sensor inside the reservoir will automatically shut off the pump. This is designed to protect the pump. The unit has a heating element that has been specially designed to prevent excessive particle build up that can cause premature failure.

Caution:

Before removing or replacing the timer control unit or adding fog juice, always disconnect the power supply.

Be sure to maintain an adequate supply of ProX Brand Fog Juice in the fluid reservoir. Running the fog machine dry will cause pump failure and or clogging. This is the largest cause of failure in fog and haze machines.

ProX Fog Juice is required to maintain your warranty.

Available Fog Juice to purchase from your ProX Dealers:

**FJ-1H: 1 GALLON HIGH DENSITY PLAIN
(UNSCENTED) FJ-1P: 1 GALLON PLAIN (UNSCENTED)**

SCENTED JUICE:

Tropical Fruit, Strawberry, Vanilla, Fruit Punch and more...

Wireless Remote Operation:

To emit fog, simply press the corresponding number button on the remote for desired length of time. If the GREEN LED is on and fog does not come out after holding the button down for 30 seconds, check the fluid tank and make sure you have enough fog juice.



Operational after the unit warmed up. Please ensure the wireless function is turned on at menu.

Button 1: Maximum output +color change automatically

Button 2: Maximum output + R

Button 3: Maximum output + G

Button 4: Maximum output + B

Button 5: Maximum output + A

Button 6: Maximum output + R + G + B

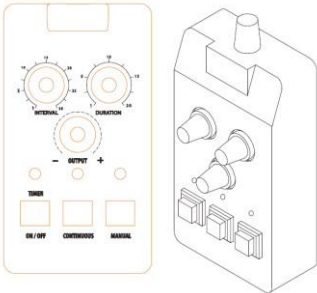
Button 7: Maximum output + R + G + B + A

Button 8: Maximum output + LED program set up on Menu

**Please note: If you have lost the wireless remote you could purchase a replacement.
SKU# X-Tornado8RF**

Timer Remote (Optional, Not included)

SKU# X-Tornado Timer



The Timer Remote enables you to control the fog output of your X-Tornado LED fog machine. Interval and duration of fog output are controlled by two potentiometers. The remote also features On/Off, Continuous Fog, and Manual Control buttons.

DMX-512 Control: DMX-512 is a universal protocol used as a form of communication between intelligent lighting fixtures, devices and controllers. A DMX controller (either physical or computerized) sends DMX data instructions from the controller to the fixture. DMX data is sent as serial data that travels from fixture to fixture via the DATA “IN” and DATA “OUT” XLR terminals located on all DMX fixtures.

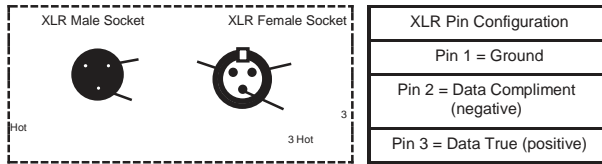
DMX Linking: DMX is a language allowing all makes and models of different manufactures to be linked together and operate from a single controller, as long as all fixtures and the controller are DMX compliant. To ensure proper DMX data transmission, when using several DMX fixtures try to use the shortest cable path possible. The order in which fixtures are connected in a DMX line does not influence the DMX addressing. For example; a fixture assigned a DMX address of 1 may be placed anywhere in a DMX line, at the beginning, at the end, or anywhere in the middle. When a fixture is assigned a DMX address of 1, the DMX controller knows to send DATA assigned to address 1 to that unit, no matter where it is located in the DMX chain.

Data Cable Requirements: The Xstatic Tornado Fog Machine can be controlled via DMX-512 protocol. The Xstatic Tornado Fog Machine has 5 DMX channel modes. The DMX address is set on the back panel. Your DMX controller may have a standard 5-pin (or 3-pin) XLR connector for data output and the Xstatic Tornado Fog Machine has both 5 pin and 3 pin DMX connections for compatibility across platforms.

NEVER USE MICROPHONE CABLES!

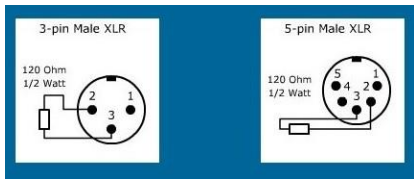
We recommend ProX DMX Cables. If you are making your own cables, be sure to use standard 110-120 Ohm shielded DATA cable. Your cables should be made with a male and female XLR connector on either end of the cable (3 or 5 pin). Also remember that DMX cable must be daisy chained and cannot be split except with an optical coupling device. **Note:** Be sure to follow figures one and two when making your own cables. Do not use the ground lug on the XLR connector. Do not connect the cable's shield conductor to the ground lug or allow the shield conductor to come in contact with the XLR's outer casing. Grounding the shield could cause a short circuit and erratic behavior.





***Special Note:**

Line Termination. When longer runs of cable are used, you may need to use a terminator on the last unit to avoid erratic behavior. A terminator is a 120 ohm 1/2 watt resistor which is connected between pins 2 and 3 of a male XLR connector (DATA + and DATA -). This unit is inserted in the female XLR connector of the last unit in your daisy chain to terminate the line. Using a cable terminator will decrease the possibilities of erratic behavior.



Termination reduces signal errors and avoids signal transmission problems and interference. It is always advisable to connect a DMX terminator (resistance 120 Ohm/2 Watt) between Pin 2 and Pin 3 of the last fixture.

DMX Mode:

Operating through a DMX controller gives the user the freedom to create their own programs tailored to their own individual needs. DMX control for the Xstatic Tornado Fog Machine can be used to just control light output with no fog output, or it can be used to control both. The Xstatic Tornado Fog Machine has 7 DMX channels.

1. This function will allow you to control each individual fixture’s functions with a standard DMX 512 controller.
2. Press the either the MENU button until “Addr” is displayed.
3. Press the ENTER button. “A.XXX” will be displayed. “XXX” represents the current displayed DMX address. Use the UP or DOWN buttons to find your desired DMX address.
5. After you have set your DMX address plug in the fixture via the XLR connections to any standard DMX controller.

DMX Settings:

Xstatic Tornado – 7 Channel Mode		
Channel	Value	Function
1	0 1-255	LED Off LED Master Dimmer
2	0-255	Red 0 to 100%
3	0-255	Green 0 to 100%
4	0-255	Blue 0 to 100%
5	0-255	Amber 0 to 100%
6	0 1-255	Strobe Effect Off Strobing Slow/Fast
7	0-255	Smoke output 0 to 100%

Color RGBA will not work unless fog is active!

PRODUCT WARRANTY INSTRUCTIONS

Complete warranty registration online at:

www.proxdirect.com/support/warranty

Registration and proof of purchase are required for warranty service.

Please keep a copy of your purchase invoice.

DETAILS:

1. Warranty period: Parts & Labor for one year (The warranty starts from the date of purchase from ProX authorized dealer in the USA.)
2. If you do not use the fog liquid branded ProX or any other high-quality liquid, the warranty period will be reduced to 90 days. The cost of repairs due to the use of improper fog juice will be borne by user.
3. The warranty is void when:
 - A. The device has been improperly powered or operated incorrectly.
 - B. The device is physically damaged
 - C. The device is damaged by moisture or foreign objects in case.

D. The product has been modified by anyone other than ProX

4. **Exclusions:** Packaging materials, casing & bracket of the machine and batteries inside wireless remote controller. (Remove batteries for storage)

5. Warranty services is provided at no cost for labor or parts. Service outside of the warranty period or for damaged product will be charged at standard shop rates plus parts. (***Shipping to and from service center not included***)

Purchase Notes:

Date of Purchase: _____

Dealer Name: _____

Dealer Contact: _____

Dealer Phone: _____

Date of Registration: _____



**Find your dealer on our website to ask about more
Innovative products from...**



901 Essex Street, Brooklyn, NY 11298

Voice 718.237.2299 – Fax: 718.237.2318

Email: info@proxdirect.com

(NO DIRECT SALES, DEALERS AND DISTRIBUTORS ONLY)

Register your products on ProXDirect.com