



CHAMELEON

X-BRGBW8 IP

8x 8W, 4 in 1 RGBW LEDs

IP66 Rated Outdoor LED BAR



USER MANUAL

SAFETY INSTRUCTIONS:

CAUTION! READ BEFORE USE!

For your own safety, please read this user manual carefully before you initially power up your fixture.

- Examine packaging to ensure all parts included
- Disconnect all power and other cables prior to servicing
- Always make sure to provide adequate ventilation

POWER

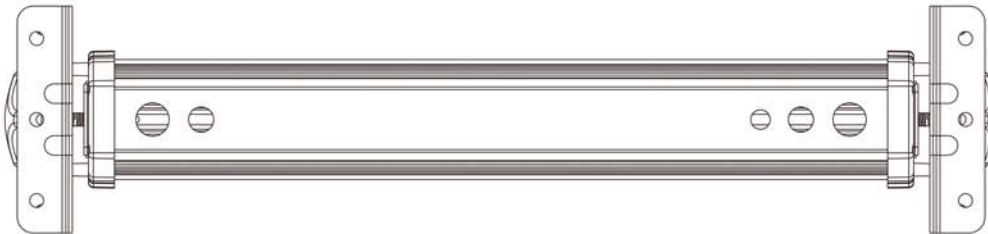


Be sure you have the proper power cables for the fixture.
120v cable with a Daisy-chaining Power connector.



CONNECTIONS

Remote control and linking is available via four operation modes: DMX 512 Control, Auto and Master/Slave modes to form different led effects, and DMX-512 connection / connection between fixtures.



Ports and Control Panel seen here. See the DMX page for cabling details and Daisy-chaining specifics (Page 7).

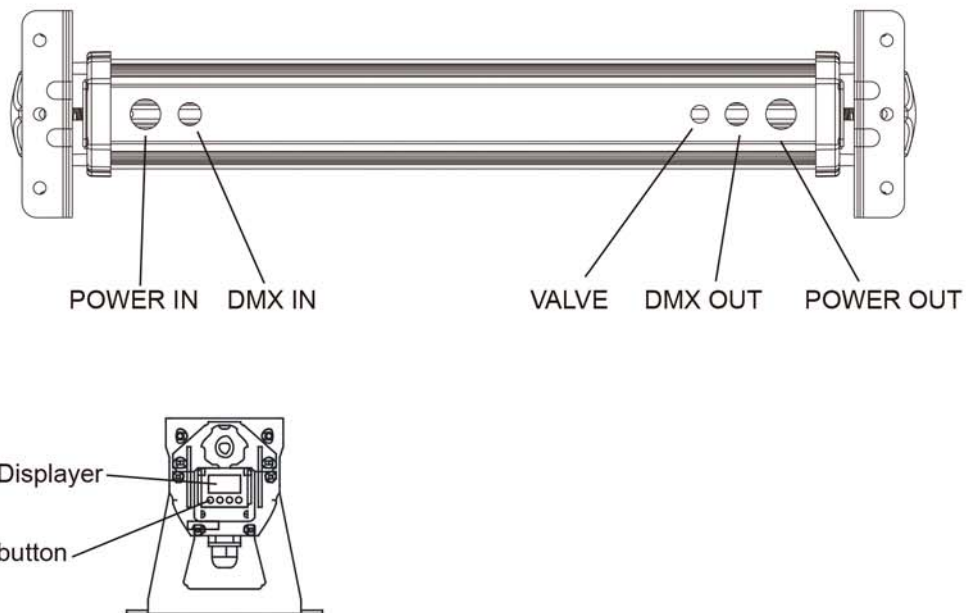
FEATURES:

- RGBW Color Mixing
- LED Chases (Adjustable Speeds)
- Electronic Dimming 0-100%
- DMX-512 protocol
- Waterproof rating: IP 66
- 2 Operating Modes - Master slave Mode, or DMX Control
- 7 DMX Channels: 1, 4, 7, 11, 16, 19CH
- Digital Display for Address and Function Setting

Please Note: Specifications and improvements in the design of this unit and this manual are subject to change without any prior written notice.

TECHNICAL SPECIFICATIONS:

- Voltage: 100V~240V,50Hz~60Hz
- LEDs: 8 x 8W RGBW 4-in-1 LEDs
- Power Consumption: 64W
- Weight: 3.5Kgs.
- Dimensions: 612.23 x 84.66 x 142.94mm
- Colors: RGBW Color Mixing
- DMX Channels: 1, 4, 7, 11, 16, 19CH
- DMX In and Out



DMX Control and Chain Connections:

You can connect the DMX-output of a controller directly to the DMX-input of the fixture. If connecting multiple units, be sure to use the proper cabling.

TERMINATION NOTE: These units are not self terminating. If the last fixture in the DMX chain will need to be terminated with a Terminator. (page 7)

MENU / CONTROLS:

Addr - DMX Address Setting via control board

1. Press the MENU button and UP button or DOWN button until "Addr" is showed, then press ENTER.
2. "AXXX" now is showed, "XXX" represents the showed address. Press the UP or DOWN button to select your desired address.

Chnd - This menu will let you select your desired DMX Channel mode.

1. Tap the MENU button and UP button or DOWN button until "Chnd" is displayed, then press ENTER.
2. "X Ch" now is displayed, "X" represents the displayed DMX channel mode. Press the UP or DOWN buttons to find your desired Channel mode.

SLav- In this menu, you can select the Master/slave mode.

1. Press the MENU button and UP button or DOWN button until "SLav" is showed, then press ENTER.
2. "Sla " now is showed, and Slave mode is confirmed. It will be slaved by auto mode, and chase mode.

Info -This menu will show the information of the light.

1. Press the MENU button and UP button or DOWN button until "INFO" is showed , then press ENTER. And you will see two items.
 - 1) Temp: this will show the temperature at work.
 - 2) Vers: this will show the version of the software.

REMO - This menu will let you select your desired remo mode

1. Tap the UP button or DOWN button until "REMO" is displayed, press ENTER.
2. "on" or "off" will now be displayed, you can select to close or open the infrared.

Auto - In this menu you can select your desired Auto mode.

1. Press the MENU button and UP button or DOWN button until "Auto" is showed, then press ENTER.
2. "Autx" now is showed. You can press UP or DOWN button to select your desired auto mode. Then press ENTER to adjust the speed of the Auto mode from speed1 to speed9.

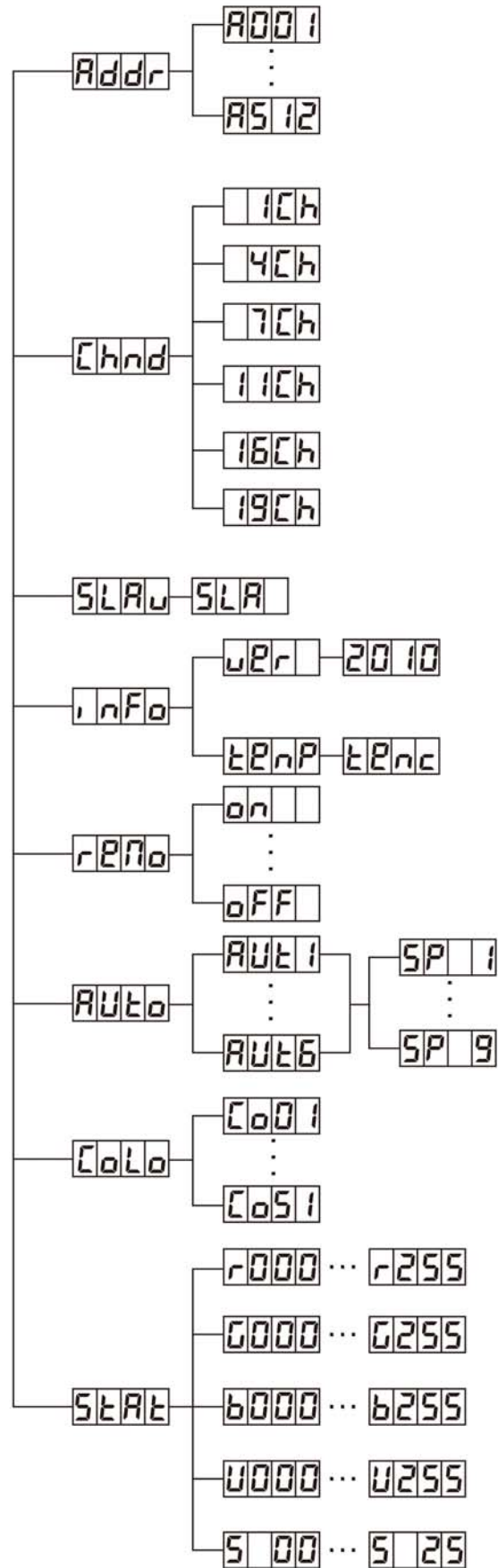
Colo - Manual color dimming mode

1. Tap the MENU button and UP button or DOWN button until "CoLo" is displayed, then press ENTER.
2. "CoXX" now is displayed, "XX" representing a number between 1-51 will be displayed. Then press UP or DOWN button to select your desired color.

Stat- In this menu, you can select your desired static color mode and strobe mode

1. Press the MENU button and UP button or DOWN button until "Stat" is showed, then press ENTER.
2. There will be five options. Press ENTER to select the option and then press UP or DOWN button to select the value you desire as below.
 - 1) red~R000~R255
 - 2) gree~G000~G255
 - 3) blue~B000~B255
 - 4) uhie~U000~U255
 - 5) strobe~S00~S25

MENU MAP:



DMX SETUP

DMX-512 connection between fixtures

The fixture is equipped with 2-pin XLR sockets for DMX input and output. The sockets are wired in parallel. Only use a shielded twisted-pair cable designed for 3-pin XLR-plugs and connectors in order to connect the controller with the fixture or one fixture with another.

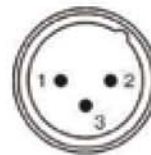
Occupation of the XLR-connection

DMX - output
XLR mounting-sockets (rear view):

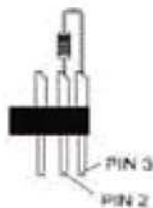
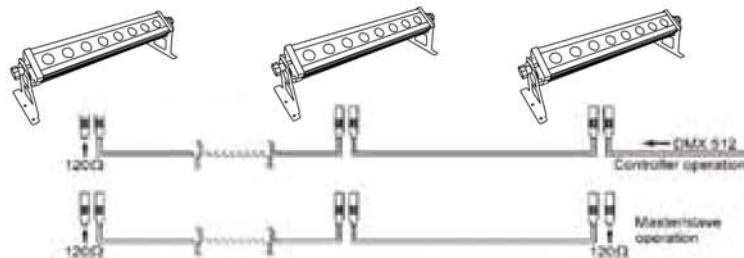


- 1 - Shield
- 2 - Signal (-)
- 3 - Signal (+)

DMX-input
XLR mounting-plugs (rear view):



Building a serial DMX-chain



[To make Terminator; solder a 120 resistor between Signal (-) and Signal (+) into a 3-pin XLR-plug and plug it in the DMX-output of the last fixture.]

DMX CHANNELS:

DMX Mode 1:1CH

channel	value	function
ch1	0--255	Static color

DMX Mode 2:4CH

channel	value	function
ch1	0--255	Red (0%--100%)
ch2	0--255	Green (0%--100%)
ch3	0--255	Blue (0%--100%)
ch4	0--255	White (0%--100%)

DMX Mode 3:7CH

channel	value	function
ch1	0--255	Dimmer
ch2	0--255	LED main function
ch3	0--255	Speed/Strobe
ch4	0--255	Red (0%--100%)
ch5	0--255	Green (0%--100%)
ch6	0--255	Blue (0%--100%)
ch7	0--255	White (0%--100%)

DMX Mode 4:11CH

channel	value	function
ch1	0--255	Dimmer
ch2	0--255	LED main function
ch3	0--255	Speed/Strobe
ch4	0--255	Red (0%--100%)
ch5	0--255	Green (0%--100%)
ch6	0--255	Blue (0%--100%)
ch7	0--255	White (0%--100%)
ch8	0--255	Red (0%--100%)
ch9	0--255	Green (0%--100%)
ch10	0--255	Blue (0%--100%)
ch11	0--255	White (0%--100%)

DMX CHANNELS CONT'D

DMX Mode 5:16CH

channel	value	function
ch1	0--255	Red (0%--100%)
ch2	0--255	Green (0%--100%)
ch3	0--255	Blue (0%--100%)
ch4	0--255	White (0%--100%)
ch5	0--255	Red (0%--100%)
ch6	0--255	Green (0%--100%)
ch7	0--255	Blue (0%--100%)
ch8	0--255	White (0%--100%)
ch9	0--255	Red (0%--100%)
ch10	0--255	Green (0%--100%)
ch11	0--255	Blue (0%--100%)
ch12	0--255	White (0%--100%)
ch13	0--255	Red (0%--100%)
ch14	0--255	Green (0%--100%)
ch15	0--255	Blue (0%--100%)
ch16	0--255	White (0%--100%)

DMX Mode 6:19CH

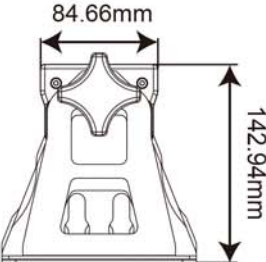
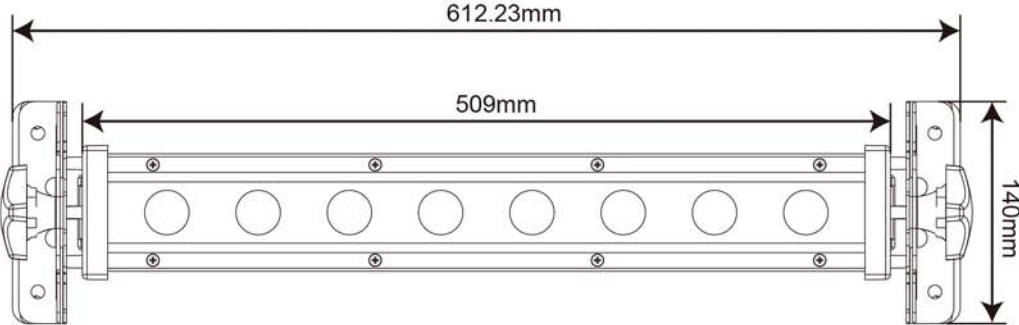
channel	value	function
ch1	0--255	Dimmer
ch2	0--255	LED main function
ch3	0--255	Speed/Strobe
ch4	0--255	Red (0%--100%)
ch5	0--255	Green (0%--100%)
ch6	0--255	Blue (0%--100%)
ch7	0--255	White (0%--100%)
ch8	0--255	Red (0%--100%)
ch9	0--255	Green (0%--100%)
ch10	0--255	Blue (0%--100%)
ch11	0--255	White (0%--100%)
ch12	0--255	Red (0%--100%)
ch13	0--255	Green (0%--100%)
ch14	0--255	Blue (0%--100%)
ch15	0--255	White (0%--100%)
ch16	0--255	Red (0%--100%)
ch17	0--255	Green (0%--100%)
ch18	0--255	Blue (0%--100%)
ch19	0--255	White (0%--100%)

DMX CHANNELS CONT'D

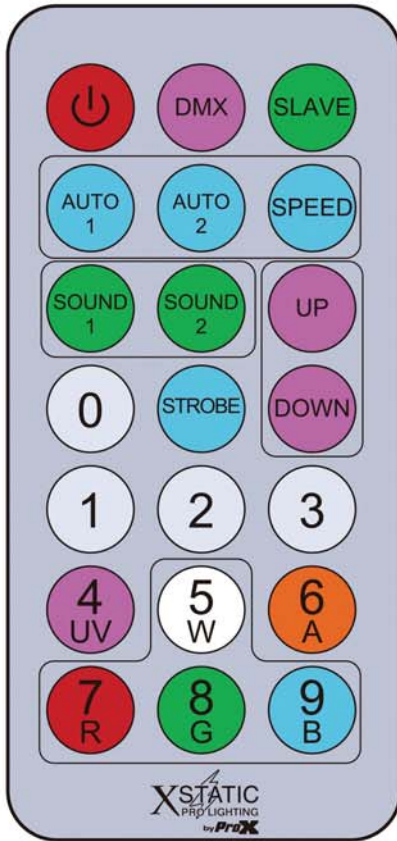
DMX value and function




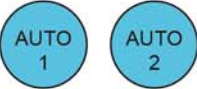

DIMMING	0<----->255 0%<----->100%					
LED main function	0~7: dimmer	8~15: mode1	16~23: mode2	240~247: mode29	248~255: mode30
function speed	0<----->255 slow<----->fast					
strobing	0:NO strobing 1~255: slow<----->fast					



MECHANICAL SPECIFICATION



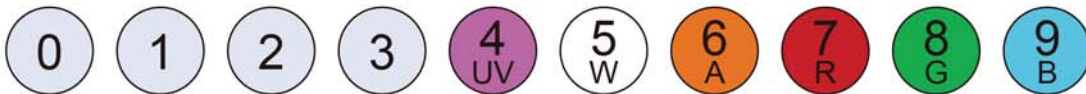
IR CONTROLLER



-  Power on/off button
-  DMX button, to control DMX address when press this button. It is channel mode when double click.
-  SLAVE Master-slave mode button.
-  AUTO 1 AUTO 2 Automatic mode button
-  SPEED Speed adjustive button

  Up and down button, you can choose the program that you need or numerical.

 Strobe button



You can use these number button to adjust numerical in any program mode.

      Color choosing button.

Find your dealer on our website to ask about more
innovative products from...



XSTATIC
PRO LIGHTING

PROX
Live Performance Gear

901 Essex Street, Brooklyn, NY 11208
Tel: (718) 237-2299, Fax: (718) 237-2318
Email: info@xstaticusa.com

(NO DIRECT SALES, DEALERS AND DISTRIBUTORS ONLY)

Please Register your product warranty on ProXDirect.com,
submit your testimonials and setup photos to our website,
& Tag us on your social media websites.

[#proxdirect](https://twitter.com/proxdirect)