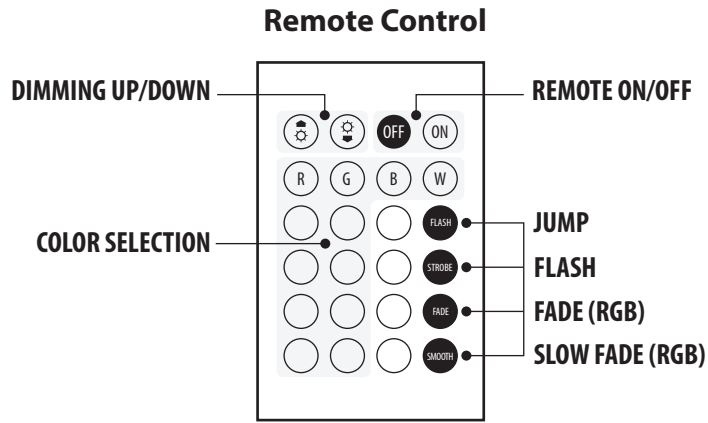


MANUAL OPERATION



Function Menu

ITEM	FUNC.	ADDRESS	FEATURE
1	A001	001-512	DMX512 Address Setting, 7-channel Mode
2	d001	001-512	DMX512 Address Setting, 3-channel Mode
3	d-Ho	Ho/oF	STAT after losing DMX signal: Ho: hold last sense when signal off ; oF: off all LED
4	IrYe	Ye/no	YE: IR remote enable, no: IR remote disable;
5	R255	000-255	(R) Dimming • From dark to bright
6	G255	000-255	(G) Dimming • From dark to bright
7	B255	000-255	(B) Dimming • From dark to bright
8	o255	000-255	Dimmer
9	FH99	01-99	Flash, Slow to fast
10	CL01	01-07	7-Colors mixing
11	CC99	01-99	Auto-Color Jump, slow to fast
12	DE99	01-99	Auto-Color Fade, slow to fast
13	CP99	01-99	Auto-Color Pulse, slow to fast
14	Soud	soud	Sound Active

DMX OPERATION

7-Channel Mode (A001 pattern)

CH#	FUNC.	FEATURE
CH1	Master Dimming	(RGB) Master Dimming • From dark to bright
CH2	R Dimming	(R) Dimming • From dark to bright
CH3	G Dimming	(G) Dimming • From dark to bright
CH4	B Dimming	(B) Dimming • From dark to bright
CH5	Strobe	(RGB) Strobe • From slow to fast
CH6	Auto Function	0-50 Not Active • 51-100 Seven Color • 101-150 Jump • 151-200 Fade • 201-250 Pulse • 251-255 Sound Active
CH7	Function Speed	Auto Speed Slow to Fast CH6 = 51-100 Change Color

Channel Mode (d001 mode)

CH#	FUNC.	FEATURE
CH1	R Dimming	(R) Dimming • From dark to bright
CH2	G Dimming	(G) Dimming • From dark to bright
CH3	B Dimming	(B) Dimming • From dark to bright

