

ProX[®]

Live Performance Gear

XT-TOPAPP



ProX
Live Performance Gear

Top Adjustable Panel Point for Video Walls

UPC: 019372409533

Notice:

©ProX Live Performance Gear®, All rights reserved. ProX believes that the information contained in this guide is accurate in all respects. However Information, specifications, diagrams, images, and instructions herein are subject to change without notice. The ProX logo and identifying product names and numbers herein are trademarks of Xstatic Pro, Inc. Copyright protection claimed includes all forms and matters of copyrightable materials and information now allowed by statutory or judicial law or hereinafter granted. Product names used in this document may be trademarks or registered trademarks of their respective companies and are hereby acknowledged. All non- ProX brands and product names are trademarks or registered trademarks of their respective companies.

ProX Live Performance Gear®, its parent company, and all affiliated companies, distributors and agents, hereby disclaim any and all liabilities for property, equipment, building, and damages, injuries to any persons, and direct or indirect economic loss associated with the use or reliance of any information contained within this document, and/or as a result of the improper, unsafe, insufficient and negligent assembly, installation, rigging, and usage of this product.

About This Guide:

This ProX Safety and Usage Guide has general information on how to use the Top Adjustable Panel Points for Video Walls (XT-TOPAPP). See www.ProXDirect.com for the latest information on the XT-SQ Series (F34) Trussing Systems.

Safety Considerations:

Upon receipt and **ALWAYS** before each use, carefully inspect each unit before use.

DO NOT use any unit that is damaged or twisted in any manner.

DO NOT relocate the front clamp into the long slot and always use both clamps secured properly.

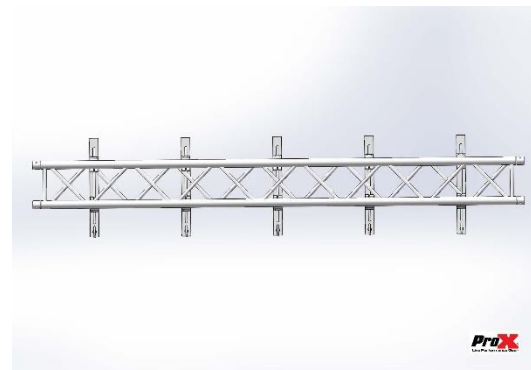
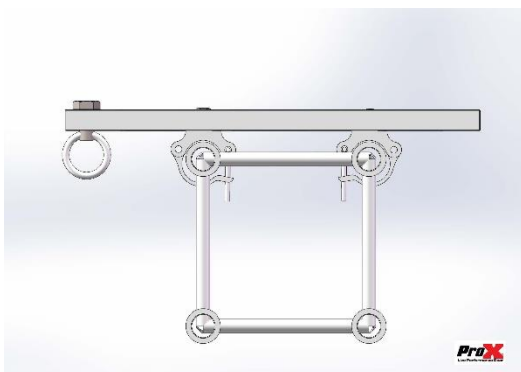
Keep hands and fingers clear of the coupler clamps during installation and final tightening. Pinch points abound during setup.

The trussing and installation of the TOPAPPs should be designed by qualified parties familiar to truss loading and safety considerations. Use at your own risk!

DO NOT connect this product to any trussing that is not constructed of 2" main tubes.

DO NOT connect to any assembly that is not built with square box trussing.

DO NOT exceed the load capacity of each unit.

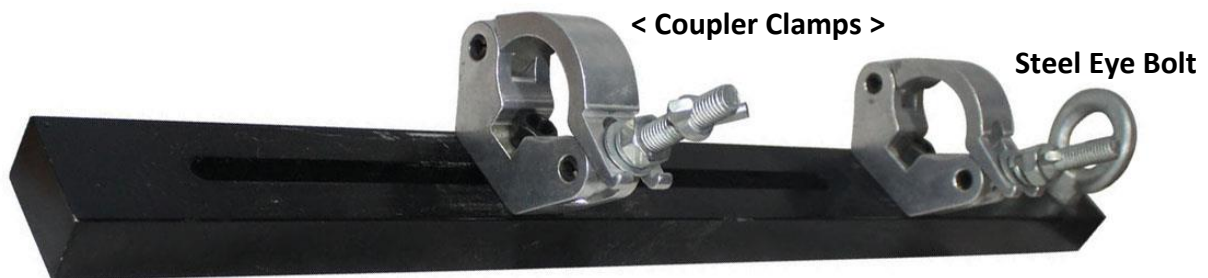


Description of Product:

The **Top Adjustable Panel Point (XT-TOPAPP)** allows you to create multiple hanging points on the upper chords of 12" to 20" box truss to support video walls.

The XT-TOPAPP is ALWAYS used in multiples to evenly distribute the load across the top chords of the trussing. The clamps for the 2" chord tubes are adjustable and the front clamp location on the rail MUST be the same measurement on each unit. The XT-TOPAPP provides a safe and secure mounting point for your video installations. Each unit is rated up to 1100lbs (500kg). Load calculations are important and should only be specified by qualified trussing riggers. The steel eye bolt rotates to allow easy connection to video panel rigging bars with standard rigging shackles, round slings, or other specified support. The XT-TOPAPP is machined in our own factories from solid bar 6061 T-6 aluminum with a permanently attached steel eye bolt. It includes two (2) ProX T-C4 Half Coupler clamps designed to fit 2" (50mm) truss chords.

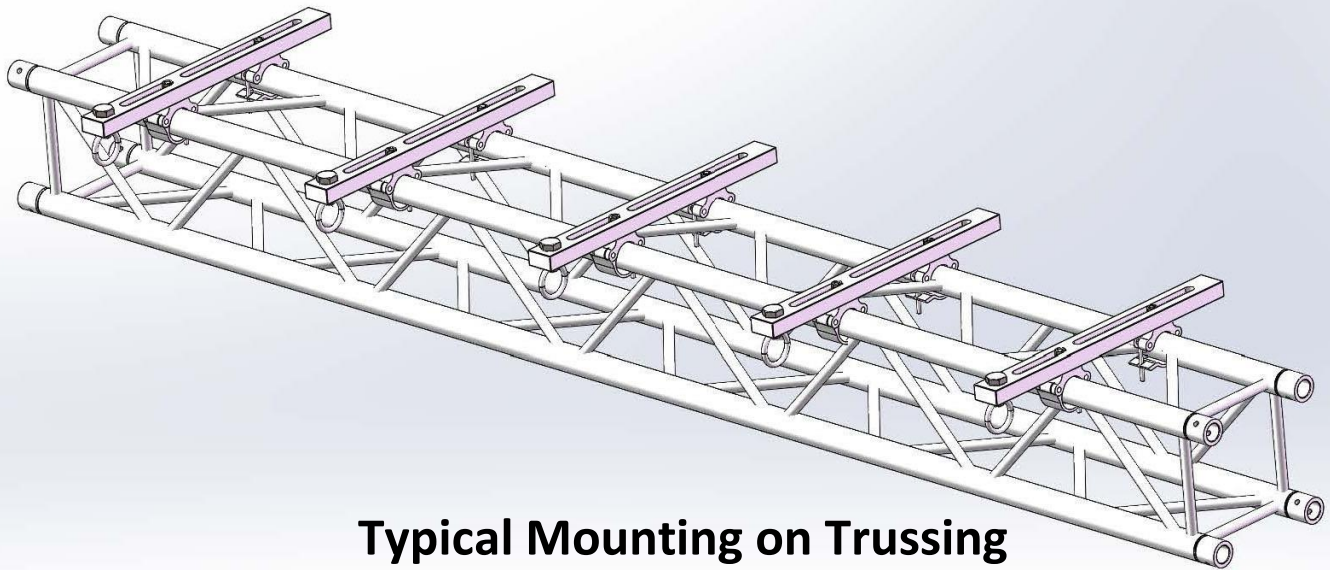
Installation Guide:



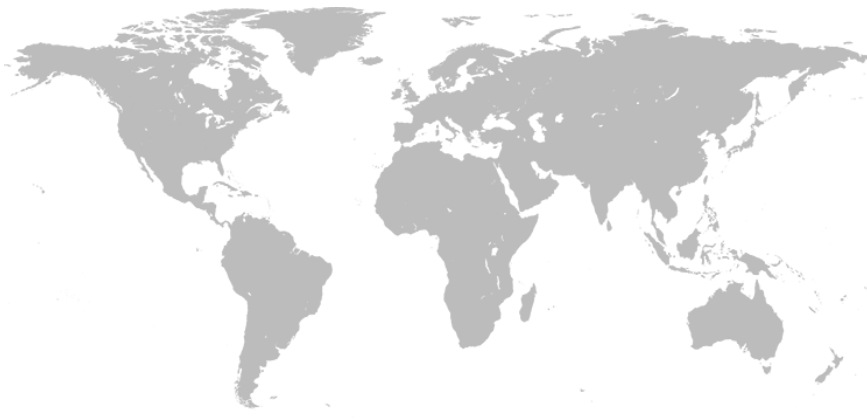
Install the XT-TOPAPP units in the following manner:

- 1) Use a 10mm Allen key to loosen the main clamp bolts
- 2) Slide the clamps to the needed spacing so the XT-TOPAPP attaches to both chords on the top of the trussing.
 - a) The front clamp attaches to the front chord and via the slot, allows up to 3.5 inches of adjustment to help with spacing to the backs of video panels and the face of the truss. All units must have the front clamp adjusted the same distance measured from the front (eye end) .
 - b) The rear clamp adjusts to attach to the rear chord of the trussing top.
 - c) Distribute an adequate number of XT-TOPAPP mounts for the calculated load and evenly space them across the top chord of the trussing.
- 3) Once the XT-TOPAPP is adjusted properly, re-tighten the clamp bolts and recheck that the clamps are attached to the trussing correctly and the clamps are snugly tightened.

- Mounts almost anywhere on the truss length
- For best results space all XT-TOPAPP brackets equally along the mounting area
- Adjusts to fit any size box truss with 2" (50mm) truss chords up to 20.5' chord spacing.
- Includes 2 ProX T-C4 load rated 360-degree wrap around style coupler clamps
- Load rated eye bolt, permanently mounted, allows easy rigging using shackles up to 5/8"
- Made of 6061 T-6 aluminum and graded steel hardware for strength and durability
- Black Anodized Aluminum main bar to improve installation appearance
- Manufactured to the exacting ProX specifications for safety and durability



Typical Mounting on Trussing



ProX[®]
Live Performance Gear

www.ProXDirect.com

901 Essex Street, Brooklyn, NY 11208
Phone: 718.237.2299 Fax: 718.237.2318
Email: Info@ProXDirect.com